

3

3

1850

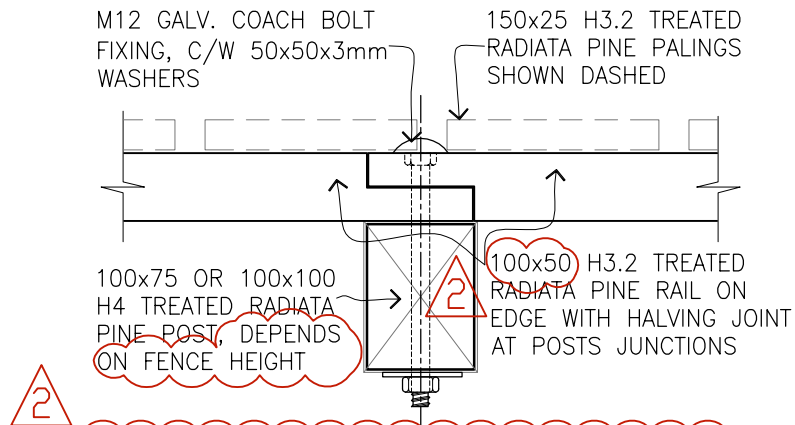
3

NOTE:
 WHERE RAILS ARE JOINED, USE HALVING JOINT. REFER DETAIL AT SHEET 204

NOTE:
 THESE DRAWINGS ARE INDICATIVE STANDARD DESIGN ONLY. ACTUAL DESIGN MUST BE ADAPTED TO SPECIFIC SITE CONDITIONS.

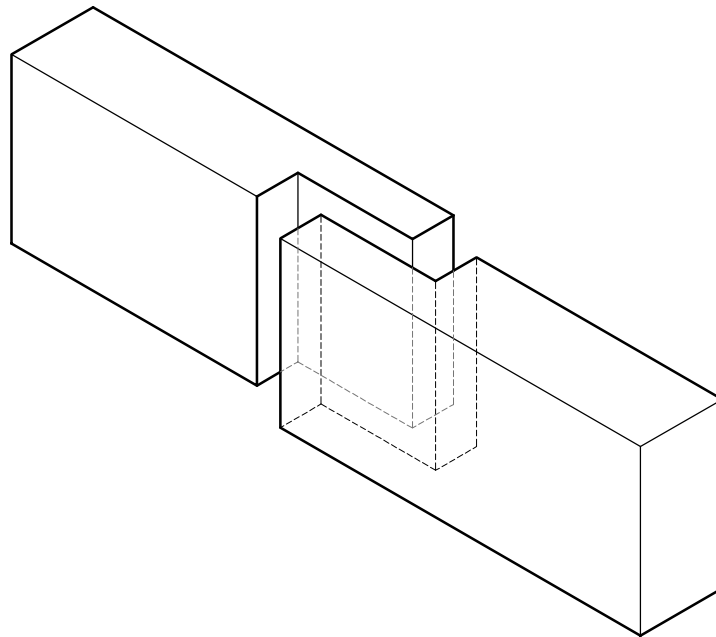
FENCE DETAILS
 SCALE 1:50 @ A4





NOTE: FOR TOP RAIL OF WIRE MESH FENC, SAME DETAIL BUT USE 150x50 H3.2 TREATED RADIATA PINE

PLAN DETAIL: FENCE RAIL HALVING JOINT



FENCE RAIL HALVING JOINT ISOMETRIC

WIDTH OF JOINT TO MATCH WIDTH OF POST.
USE 1/M12 GALVANISED COACH BOLT PER FIXING, COMPLETE WITH 50x50x3mm WASHER

TIMBER FENCE TYPICAL RAIL JOINT DETAIL

NOT TO SCALE



NOTE:

THESE DRAWINGS ARE INDICATIVE STANDARD DESIGN ONLY. ACTUAL DESIGN MUST BE ADAPTED TO SPECIFIC SITE CONDITIONS.